

Energy freedom!



Portable solar panel for leisure time

Good design should arouse your desire and be consequently satisfying

The new series of panels GHP 6 and GHP 12 specifically projected for leisure time activities are among the lightest in the market that allow to charge smartphone and others devices such as power banks, tablets and digital cameras thanks to its convenient USB exit. Due to its portability, these panels are the ideal gadget to whoever needs to recharge any small electronic device. These panels were especially designed for outdoors activities such as bike riding, trekking, nautical activities and campings thanks to the technology provided by the Sunpower cells, the GHP series are among the world's most efficient solar panels.



More energy everyday

Thanks to high efficiency of the Sunpower Cells



Light and flat

Only 2mm of thickness and a weight of 1/8 of glass panels



Easy to install

Thanks to eyelets that allow to attach it everywhere



Developed in Italy

Projected and developed by GiocoSolutions



Foldable

To be easy transported with minimum struggle

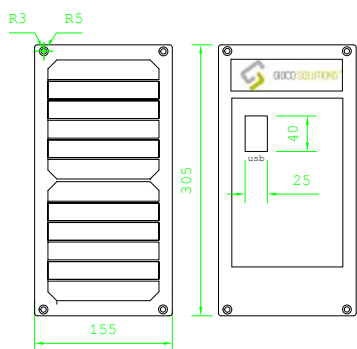


GIOCO SOLUTIONS®

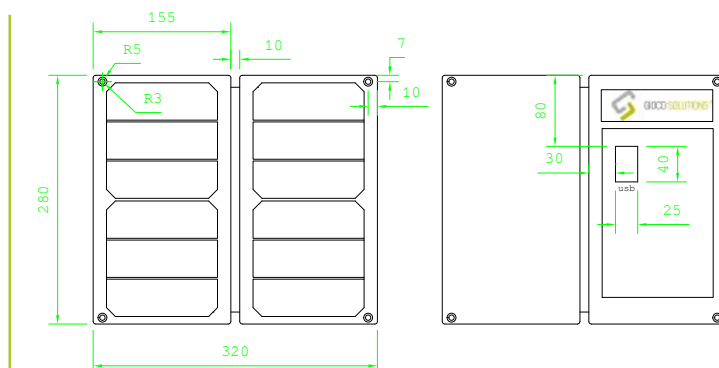


This product is available in 2 versions:

GHP 6



GHP 12



Electrical parameters

V P _{MAX} (V)	6,84
I P _{MAX} (A)	0,89
P _{MAX} (Watt)	6,11
V _{CA} (V)	8,16
ICC (I)	0,95

Electrical parameters

V P _{MAX} (V)	6,84
I P _{MAX} (A)	1,80
P _{MAX} (Watt)	12,28
V _{CA} (V)	8,16
ICC (I)	1,91

Energy freedom!



Friendly to use



GIOCO SOLUTIONS®

www.giocosolutions.com
info@giocosolutions.com